

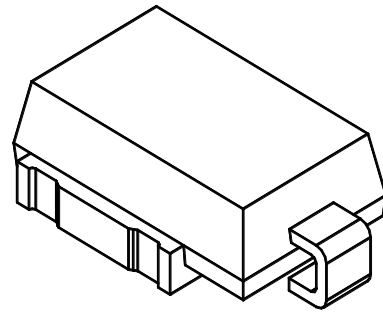
**Working Voltage: 14 to 43 V**

**Peak Pulse Power: 6600 W**

## Surface Mount Transient Voltage Suppressors

### Features

- Glass passivated chip
- 6600 W peak pulse power capability with a 10/1000  $\mu$ s waveform, repetitive rate (duty cycle):0.01 %
- Meet ISO7637-2 5a surge specification
- Meet AEC-Q101 requirement
- Low leakage current
- Bidirectional unit
- Excellent clamping capability
- Very fast response time
- RoHS compliant



DO-218AB

### Mechanical Data

- Case: DO-218AB
- Epoxy: UL 94V-0 rate flame retardant

### Maximum Ratings( $T_A=25^\circ\text{C}$ unless otherwise noted)

Parameter	Symbol	Value	Unit
Peak power dissipation with a 10/1000 $\mu$ s waveform <sup>(1)</sup>	$P_{PP}$	6600	W
Peak power dissipation with a 10/10,000 $\mu$ s waveform	$P_{PP}$	3650	W
Peak pulse current with a 10/1000 $\mu$ s waveform <sup>(1)</sup>	$I_{PP}$	See Next Table	A
Power dissipation on infinite heatsink at $T_L = 25^\circ\text{C}$	$P_D$	8.0	W
Operating junction and storage temperature range	$T_J, T_{STG}$	- 55 to +175	$^\circ\text{C}$

**Note:**

(1)Non-repetitive current pulse per Fig.2 and derated above  $T_A=25^\circ\text{C}$  per Fig.1



**Ratings and Characteristics Curves ( $T_A=25^\circ\text{C}$  unless otherwise noted)**

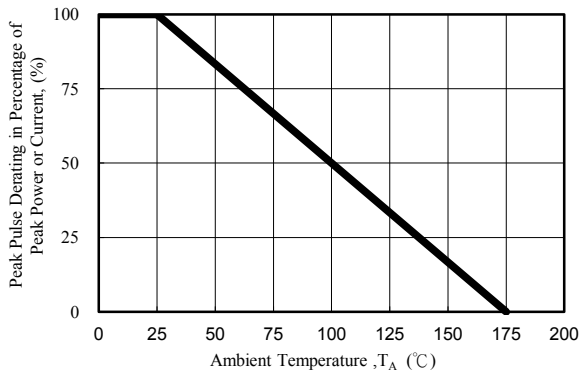


Fig. 1 - Pulse Derating Curve

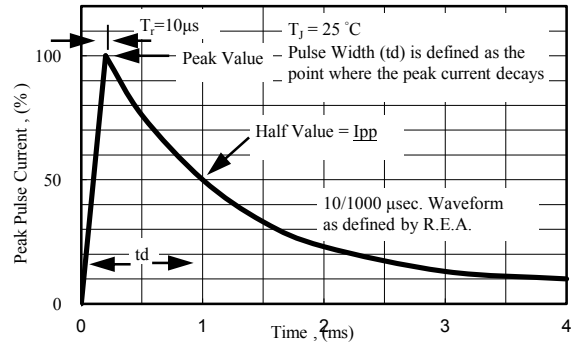


Fig. 2 - Pulse Waveform

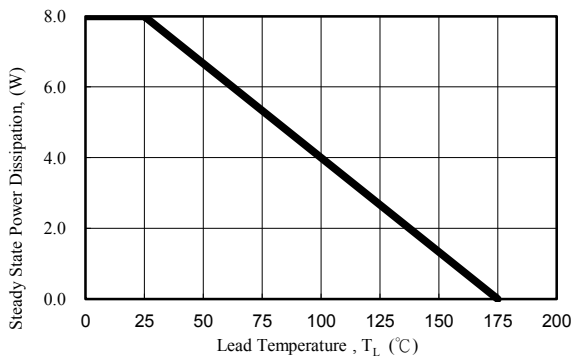
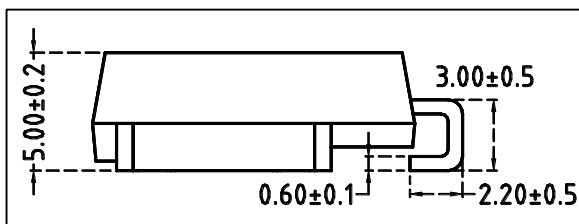
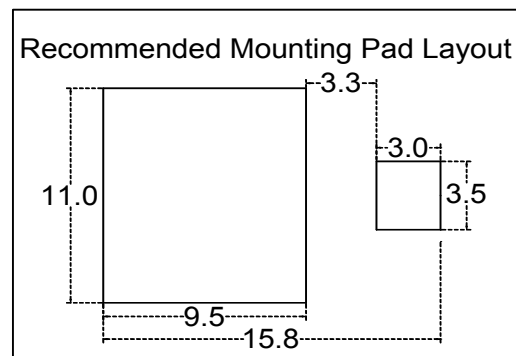
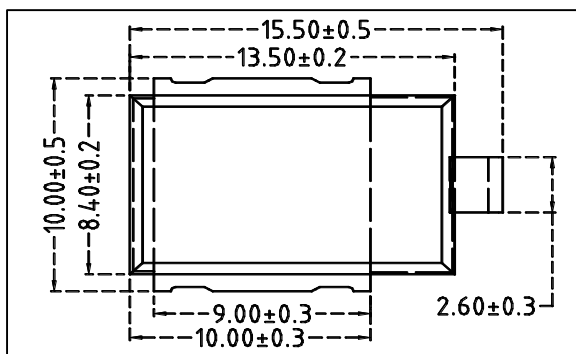


Fig. 3 - Steady State Power Derating Curve



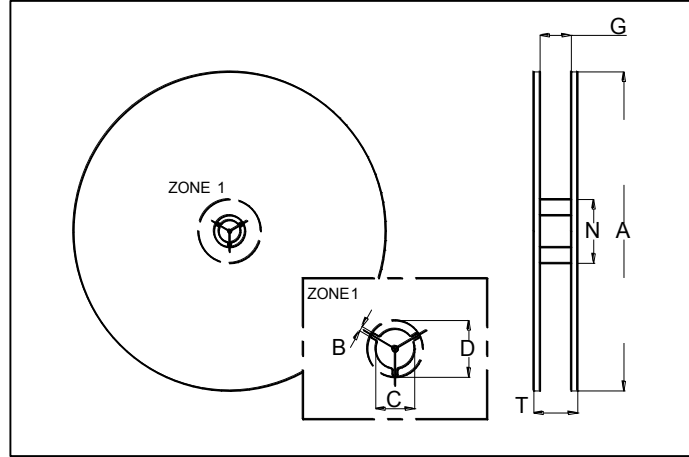
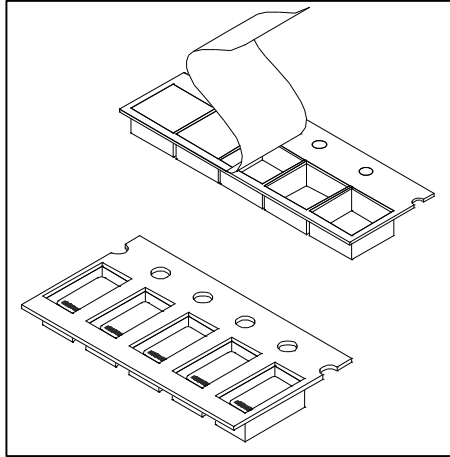
Fig. 4 - Peak Pulse Power Rating Curve

**Package Outline Dimensions (Millimeters)**





Surface Mount Tape and Reel Packaging



Dimensions in Millimeters (inches)

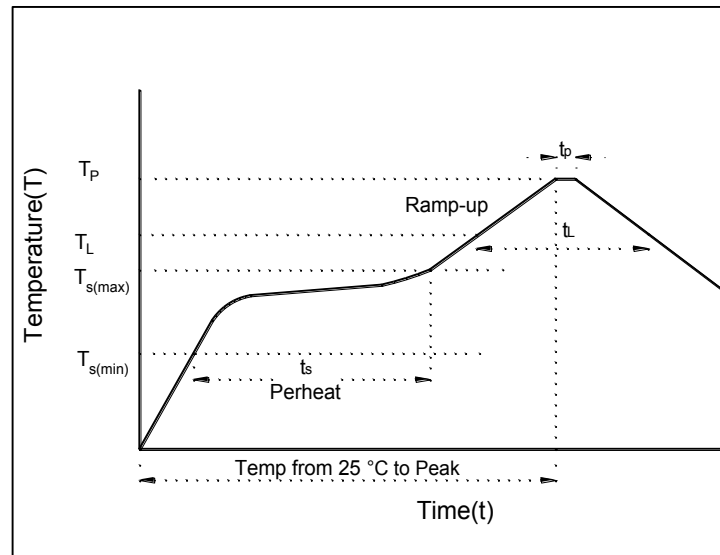
TAPE SIZE	A MAX.	B MIN.	C	D MIN.	N MIN.	G MAX.	T MAX.
24 mm (0.945)	$330 \pm 2.0$ (13.0 $\pm$ 0.079)	1.5 (0.059)	$13.5 \pm 0.50$ (0.53 $\pm$ 0.02)	20.2 (0.795)	50 (1.97)	26.4 (1.039)	30.4 (1.197)

Recommended Soldering Parameters

IR-Reflow Condition			
Pre Heat	Temp. min	150	°C
	Temp. max	200	°C
	Time(min to max)	60-180	sec
Ramp up rate (150-200°C)		<3	°C/sec

Reflow	Liquidus Temp.	>220	°C
	Peak Temp.	245	°C
	Time(Liq. to Peak)	60-150	sec
Ramp up rate (220-200°C)		<3	°C/sec
Time within actual peak temp.		10-30	sec

Ramp down Rate	<5	°C/sec
Time(25°C to Peak temp.)	<6	min
Do not exceed	280	°C





**Electrical Characteristics( $T_A=25^{\circ}\text{C}$  unless otherwise noted)**

Part Number (Uni)	Breakdown Voltage $V_{BR}$ @ $I_T$			Maximum Reverse Leakage $I_R$ @ $V_{RWM}$ (uA)	Maximum $I_R$ @ $V_{RWM}$ $T_J=150$ (uA)	Working Peak Reverse Voltage $V_{RWM}$ (V)	Maximum Reverse Surge Current $I_{PP}$ (A) <sup>(1)</sup>	Maximum Clamping Voltage $V_C$ @ $I_{PP}$ (V)
	Min (V)	Max (V)	$I_T$ (mA)					
SM8S14CA	15.60	17.20	5	10	150	14	284.00	23.2
SM8S15CA	16.70	18.50	5	10	150	15	270.00	24.4
SM8S16CA	17.80	19.70	5	10	150	16	254.00	26.0
SM8S17CA	18.90	20.90	5	10	150	17	239.00	27.6
SM8S18CA	20.00	22.10	5	10	150	18	226.00	29.2
SM8S20CA	22.20	24.50	5	10	150	20	204.00	32.4
SM8S22CA	24.40	26.90	5	10	150	22	186.00	35.5
SM8S24CA	26.70	29.50	5	10	150	24	170.00	38.9
SM8S26CA	28.90	31.90	5	10	150	26	157.00	42.1
SM8S28CA	31.10	34.40	5	10	150	28	145.00	45.4
SM8S30CA	33.30	36.80	5	10	150	30	136.00	48.4
SM8S33CA	36.70	40.60	5	10	150	33	124.00	53.3
SM8S36CA	40.00	44.20	5	10	150	36	114.00	58.1
SM8S40CA	44.40	49.10	5	10	150	40	102.00	64.5
SM8S43CA	47.80	52.80	5	10	150	43	95.10	69.4

NOTE: Surge current waveform is defined at 10/1000uS waveform